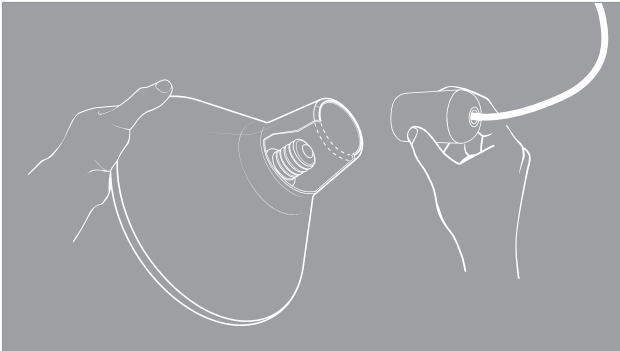
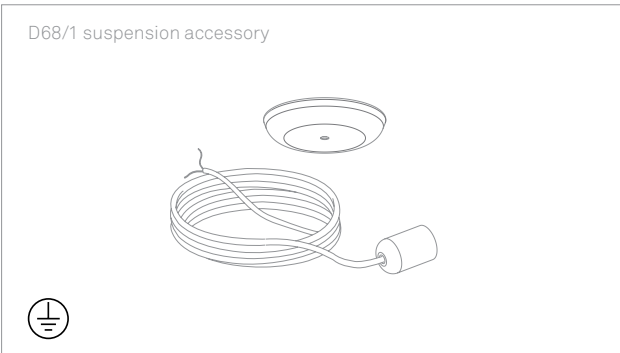
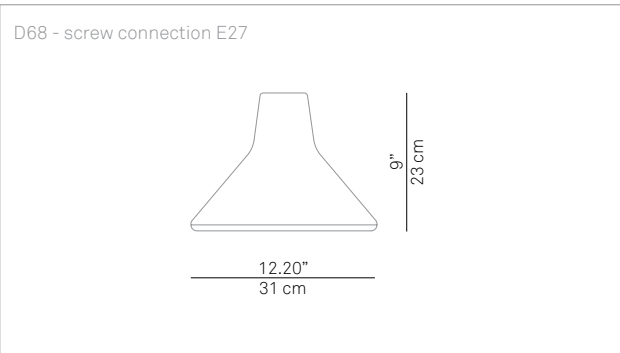


ARCHETYPE



Materials
aluminium painted body, polycarbonate silkscreened shade

Structure finishes

white black light blue red

Cable colors

white black light blue red

Note



for photometric data, see www.luceplan.com