

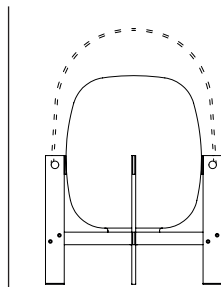


SANTA & COLE

# Cesta Metálica

Miguel Milá, 1962

Table lamp



A happy reinvention of the magic lantern, the Cesta family is growing with the latest re-edition based on the original 1962 design in metal and in two sizes: Cesta Metálica and Cestita Metálica.

A solid and iconic stainless steel structure holding a globe of white opaline light with or without leather handle.

## GENERAL DESCRIPTION

Stainless steel structure.

White opal glass lampshade.

Available with or without natural colour leather handle.

Electric cable length: 4 m / 157.4"

## LIGHT SOURCE

Recommended light sources  
(adjustable):

LED bulb: 17 W

Compact fluorescent: 20 W

Incandescent: Max. 60 W

E27 - E26

(Max. hgt. 130 mm / 5.1")

Light source not included.

Dimmer included.

Compatible with bulbs of the  
Energy efficiency class (E.E.C):  
A++... E.

Suitable only for indoor use.

Always use the light source  
recommended or equivalent.

Input voltaje : 100, 120, 230 Vac.  
(50 Hz / 60 Hz). According to destination.



SANTA & COLE

### APPROXIMATE WEIGHT (without packaging)

Without leather: 5,1 kg / 11.24 lb

With leather: 5,2 kg / 11.46 lb

### REGULATIONS

CE



IP 20

UNE-EN 60598

UNE-EN 55015

UNE-EN 60529



Non-class 2

Dry location only

UL-153

E-352592

### MAINTENANCE

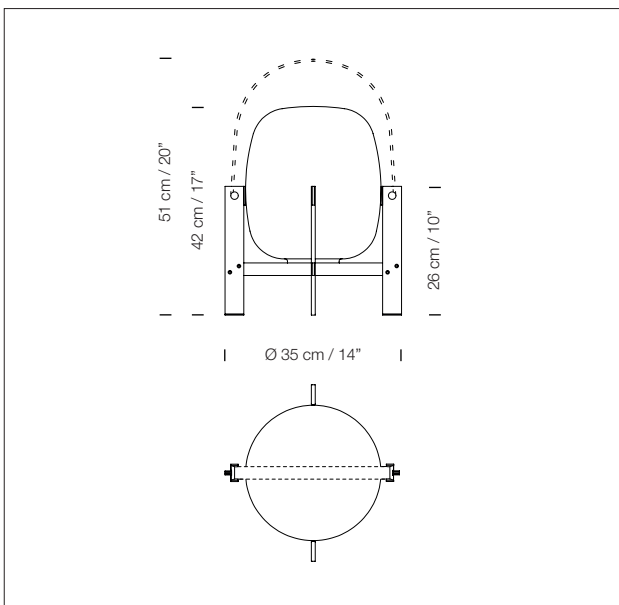
Clean with a smooth cloth. Do not use ammonia, solvents or abrasive cleaning products.

### OTHERS

The lamp are delivered in one package.

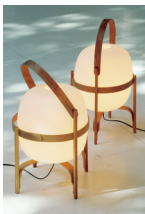
The assembly instructions are delivered with the product.

### MODEL



### PRODUCT COLLECTION

#### Table lamps



Cesta



Cestita



Cestita Metálica  
NEW PRODUCT 2015

#### Wall lamps



Wally